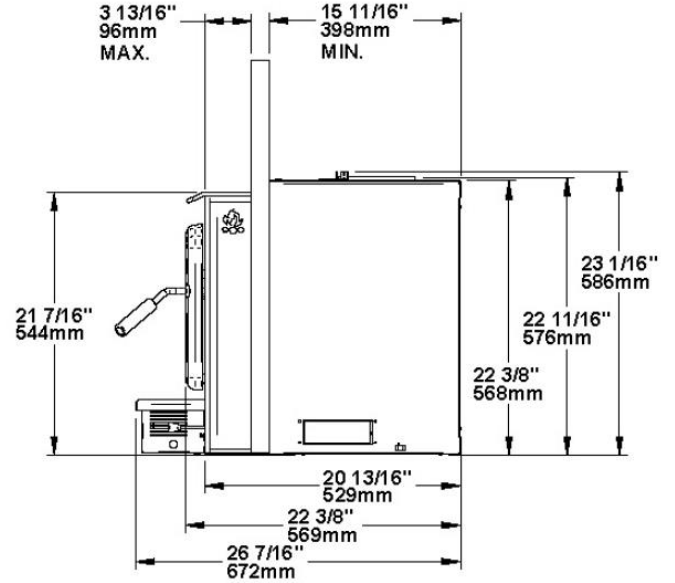
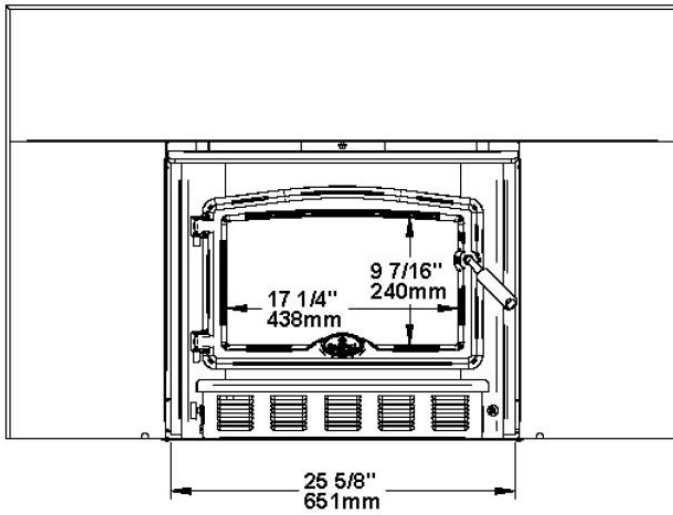
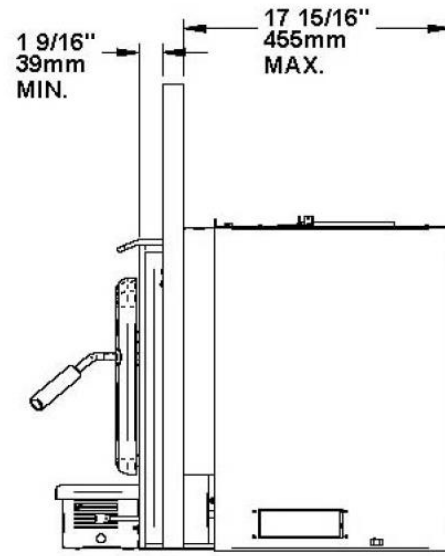
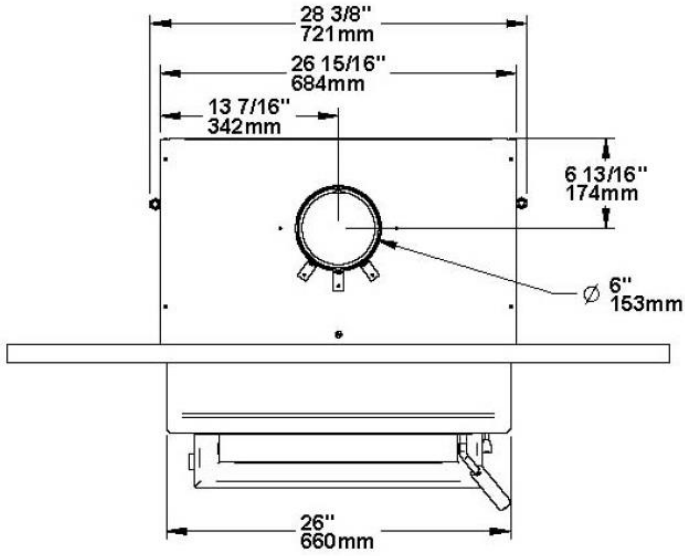


# 2000i SPECS



Fuel Type	Cordwood
Test Standards (safety)	ULC S628, UL 737 and UL 1482
Test Standard (emissions)	EPA Method 28 (40 CFR Part 60)
Heating capacity range*	500 to 2100 sq. ft. (47 to 195 m <sup>2</sup> )
Maximum heat output** (EPA test fuel)	32 200 BTU/h (9,4 kW/h)
Maximum heat output** (natural hardwood fuel)	75 000 BTU/h (22 kW/h)
Optimum efficiency	77,2 %
Test Standard (efficiency)	CSA B415.1-10
Approximate Burn Time	6 to 8 hours
Shipping Weight	423 lb (192 kg)
Firebox Volume	2,1 cu.ft. (0,060 m <sup>3</sup> )
Maximum Log Length	20" east-west***
Flue Outlet Diameter	6" (150 mm) diameter (vertical)
Baffle Material	C-Cast

*\* Burn time and heating capacity may vary subject to location in home, chimney draft, chimney diameter, locality, heat loss factors, climate, fuels and other variables.*

*\*\* The EPA test fuel is dimensional Douglas fir pieces stapled together into cribs with air spaces between. We also test using the same procedure except using split hardwood firewood to reflect real-world heat output. This insert is not intended to operate at its peak heat output continuously.*

*\*\*\* East-west: through the door you see the sides of the logs; north-south: through the door you see the ends of the logs.*