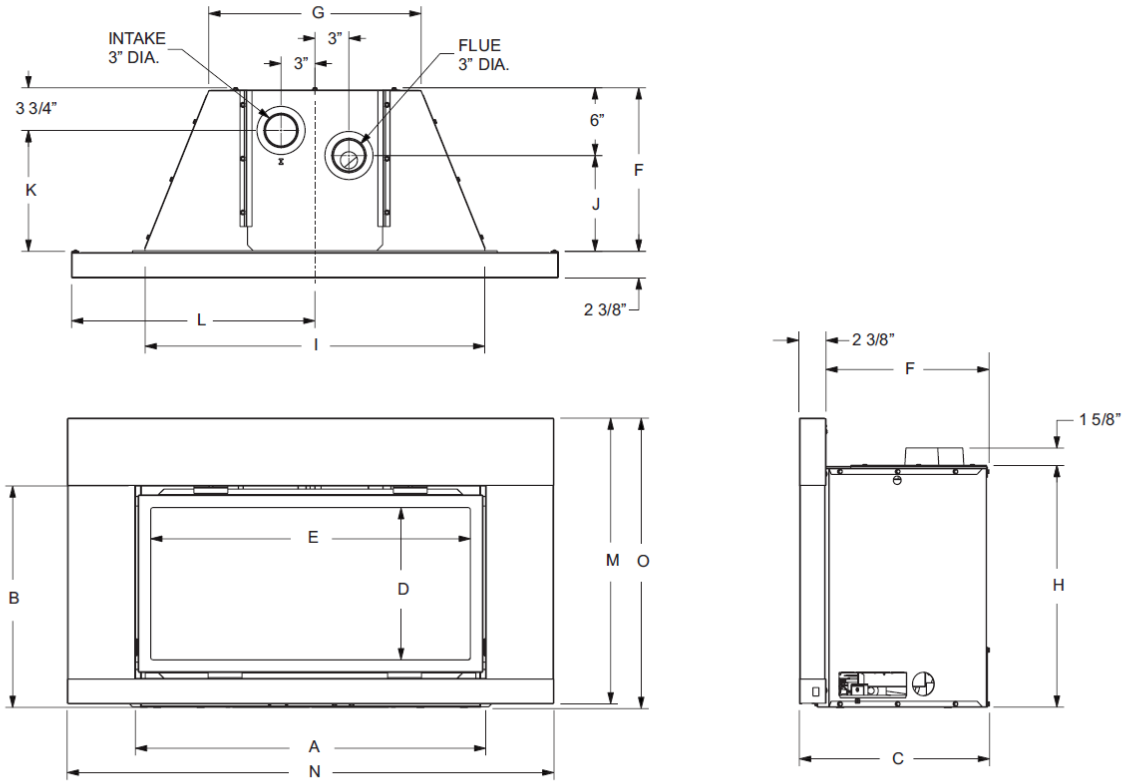


FIREPLACE INSERT DIMENSIONS

When planning a fireplace insert installation, it's necessary to determine:

- The vent system configuration to be used.
- Gas supply piping.
- Whether optional accessories - devices such as a wall switch or remote control - are desired.
- Electrical supply requirements for blower.
- Proper opening size of fireplace required for installation of the fireplace insert.



DV FIREPLACE INSERT DIMENSIONS (all dimensions in inches)

| MODEL | A | B | C | D | E | F | G | H | I | J | K | L | M | N | O |
|---------|----|--------|--------|--------|--------|--------|--------|---------|----|-------|--------|--------|--------|----|--------|
| DVL25IN | 28 | 16-1/2 | 15 | 10-1/2 | 25-1/4 | 12-3/4 | 17 | 18-5/16 | 27 | 6-7/8 | 9-1/4 | 20 | 22-1/4 | 40 | 22-1/2 |
| DVL33IN | 31 | 19-1/2 | 16-1/2 | 13-1/2 | 28-1/4 | 14-1/4 | 18-3/4 | 21-5/16 | 30 | 8-3/8 | 10-3/4 | 21-1/2 | 25-1/4 | 43 | 25-1/2 |

Figure 1

| Fireplace Opening Dimensional Information/Sizing | | | | |
|--|-----------|---------------|---------|--------------|
| MINIMUM FIREPLACE OPENING DIMENSIONS (inches) | | | | |
| MODEL NO. | HEIGHT A* | FRONT WIDTH B | DEPTH C | REAR WIDTH D |
| DVL25IN | 18-3/8 | 27-1/2 | 12-3/4 | 17-1/4 |
| DVL33IN | 21-3/8 | 30-1/2 | 14-1/4 | 19 |

***NOTICE:** If the fireplace lintel is wider than 8" (203mm), the height of the fireplace opening must be increased a few inches to allow for a gradual offset in the exhaust and/or intake vent pipes.

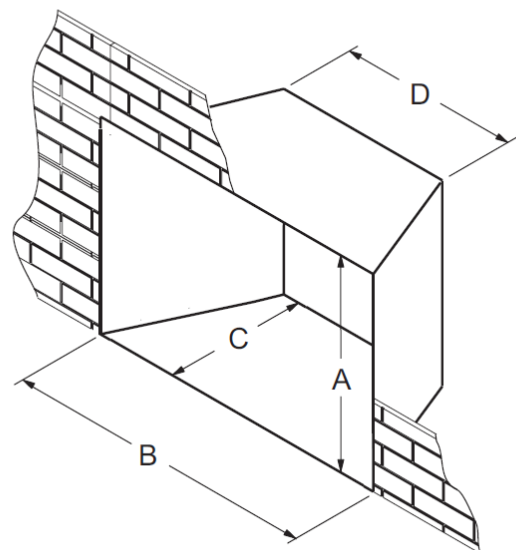


Figure 2

SPECIFICATIONS

| DVL25IN(3,7)3L MODELS | LP | Nat |
|-----------------------|--------|--------|
| Input Btu/hr Maximum | 20,000 | 20,000 |
| Btu/hr Minimum | 16,000 | 14,000 |
| KWH (Maximum) | 5.9 | 5.9 |
| (Minimum) | 4.4 | 4.4 |
| Orifice | 1.35mm | 2.20mm |
| Air Shutter Opening | 5/16" | CLOSED |

| DVL33IN(3,7)3L MODELS | LP | Nat |
|-----------------------|--------|-------------|
| Input Btu/hr Maximum | 27,000 | 27,000 |
| Btu/hr Minimum | 22,000 | 19,000 |
| KWH (Maximum) | 7.83 | 7.83 |
| (Minimum) | 6.5 | 5.51 |
| Orifice | 1.55mm | #39 (.0995) |
| Air Shutter Opening | 5/16" | 3/32" |

| Remote Control Accessories | Description |
|----------------------------|---------------------------------------|
| FRBC | Millivolt Battery Remote ON/OFF |
| FRBTC | Millivolt Battery Remote Thermostat |
| TRW | Millivolt WIRELESS Wall Thermostat |
| TMV | Millivolt Reed Switch Wall Thermostat |
| FWS-1 | Millivolt Wall Switch |

| Surround Kits | Description |
|---|--|
| 4 Sided Contemporary - Stainless Steel Top & Bottom, Black Sides | |
| S2562BLSS | Stainless Steel, Black, for use on DVL25IN models |
| S3362BLSS | Stainless Steel, Black for use on DVL33IN models |
| 4 Sided Traditional Black | |
| S2562BL | Black for use on DVL25IN models |
| S3362BL | Black for use on DVL33IN models |
| 3 Sided Black Surrounds | |
| DS25661BL | For use on DVL25IN 6 x 6 inch - Required to use any Decorative Doors, Fronts or Contemporary Frames |
| DS33661BL | For use on DVL33IN 6 x 6 inch - Required to use any Decorative Doors, Fronts or Contemporary Frames |
| Traditional Cast Iron Surrounds | |
| SC256BL | For use on DVL25IN 6 x 6 inch |
| SC336BL | For use on DVL33IN 6 x 6 inch |
| SH-1-BL | Shroud (For fireplace openings up to 48" x 36" - Requires surround.) |

| FIREPLACE BARRIER SCREENS | | |
|---------------------------|---|----------------|
| SCREEN MODEL | DESCRIPTION | MODELS USED ON |
| DVFQ25H(BL,HP,SS) | Lancaster Surround with Barrier - Black, Hammered Pewter, Stainless Steel | DVL25IN |
| DVFQ33H(BL,HP,SS) | Lancaster Surround with Barrier - Black, Hammered Pewter, Stainless Steel | DVL33IN |
| DVFQ25R(BL,HP,SS) | Eclipse Surround with Barrier - Black, Hammered Pewter, Stainless Steel | DVL25IN |
| DVFQ33R(BL,HP,SS) | Eclipse Surround with Barrier - Black, Hammered Pewter, Stainless Steel | DVL33IN |
| SQ2562(BL,BLSS) | Barrier Front - Black, Stainless Steel | DVL25IN |
| SQ3362(BL,BLSS) | Barrier Front - Black, Stainless Steel | DVL33IN |

Note: A firescreen is required for operation of the appliance, but are sold separately. Follow the instructions that come with your firescreen for proper installation.

| Venting Kits | Description | Contents |
|--------------|-----------------------------|--|
| DVKI | Vertical Vent Kit - 17 1/2' | One piece of 35' FlexVent (split for 17 1/2' vent run), Round Cap, Flashing, connectors, and clamps. Recommended when installing to an existing round fireplace chimney pipe. |
| DVVK3FV | Vertical Vent Kit - 25' | Two pieces of 25' FlexVent, Rectangle Cap, Flashing, connectors, and clamps Recommended when installing to a square or rectangular clay flue. |
| DVK35 | Vent Extension Kit | 35' flex vent extension section with 2 connectors and 4 clamps |

NOTICE: When installing vent caps, special locally made flashings may be required to properly seal the vent system to the existing chimney termination.