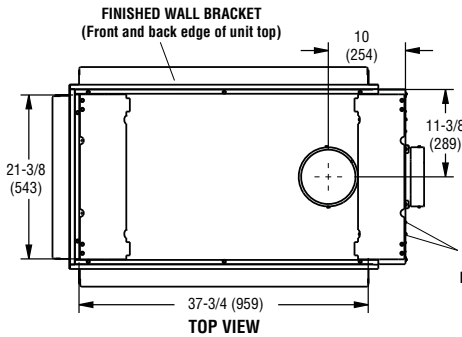
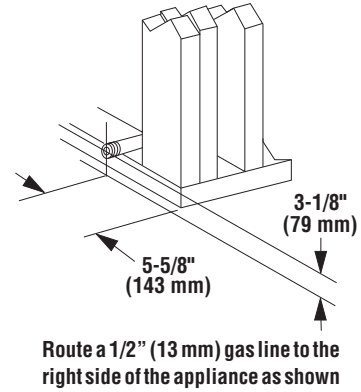
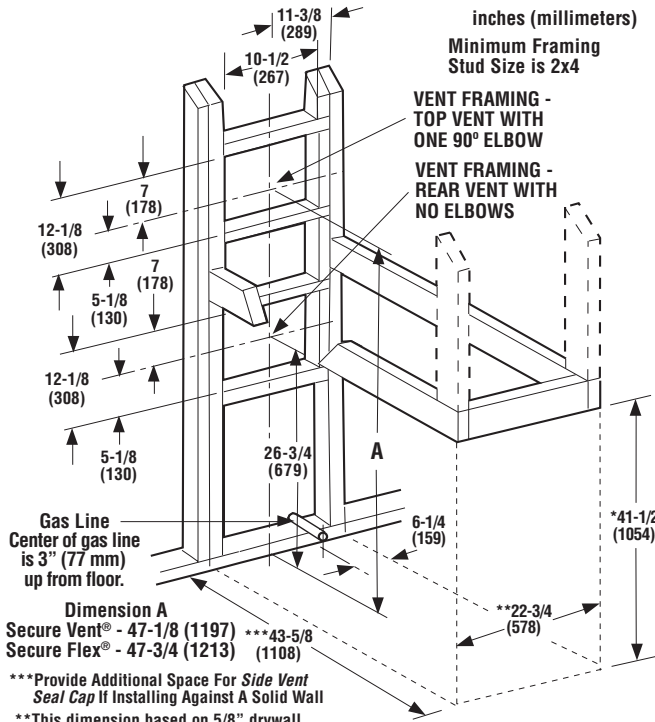


LIBRA 40PF

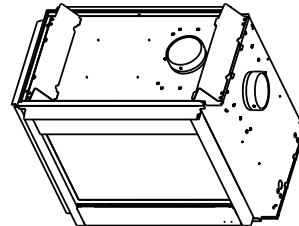
Appliance Specifications

DIRECT-VENT FIREPLACES

Framing Dimensions

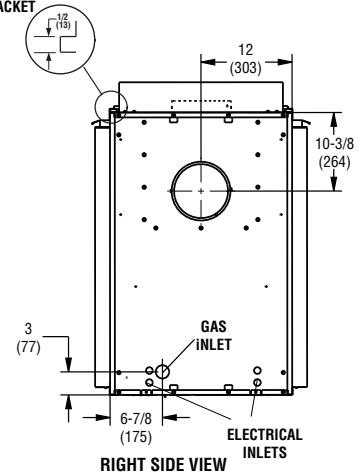
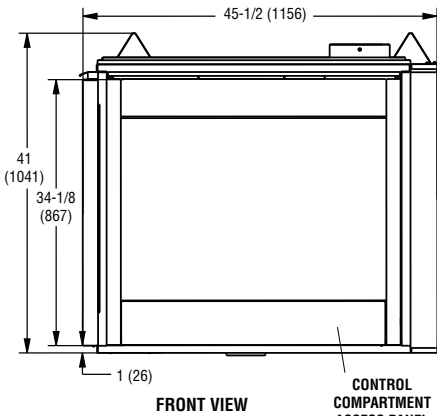
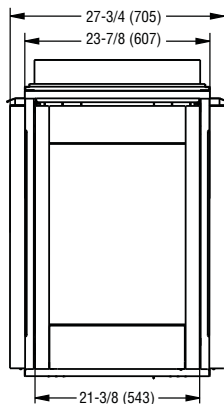


NOTE: Unit has a factory-installed vent seal cap and vent cover plate in each flue outlet. The vent seal cap is not shown in this figure.



DETAIL OF FINISH WALL BRACKET

Fireplace Dimensions



NOTE: DIAGRAMS & ILLUSTRATIONS NOT TO SCALE.

Inches (millimeters)

LIBRA 40PF

Product Info

Product Reference Information			
Cat. No.	Model	Shipping Weight	Shipping Volume
F1588	Libra 40PFDMN	300 lbs.	42 cu.ft.
F1589	Libra 40PFDMN	300 lbs.	42 cu.ft.
F1590	Libra 40PFDEN	300 lbs.	42 cu.ft.

Listing

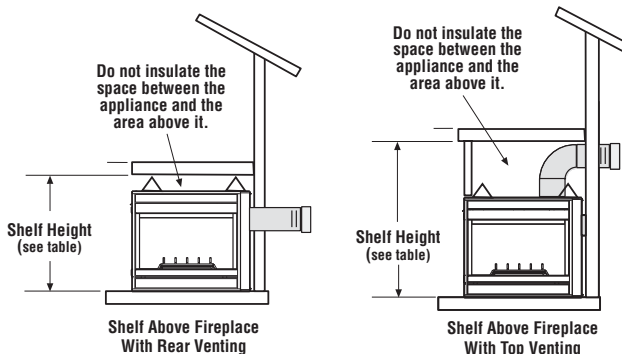


Report No. 14-171

These appliances comply with National Safety Standards and are tested and listed by PFS to ANSI Z21.88 (in Canada, CSA-2.33), and CAN/CGA-2.17-M91, latest editions, in both USA and Canada, as vented gas fireplace heaters.

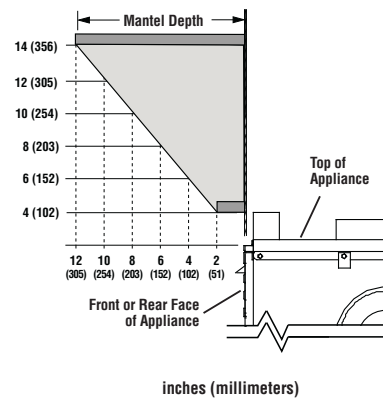
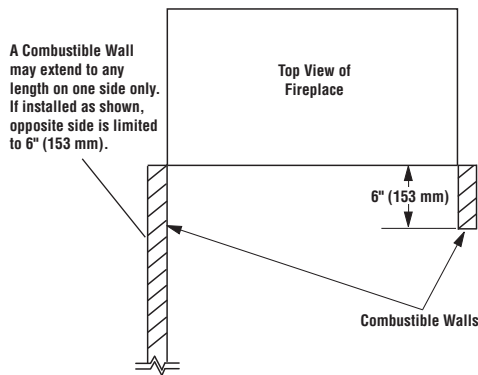
Shelf Height

Model	Combustible Shelf Height - Inches (millimeters)			
	Top Vent - with One 90° Elbow		Rear Vent - Straight Out the Back	
	Secure Vent®	Secure Flex®	Secure Vent	Secure Flex
Libra 40PF	53-7/8 (1368)	55-5/8 (1413)	41-1/8 (1045)	41-1/8 (1045)



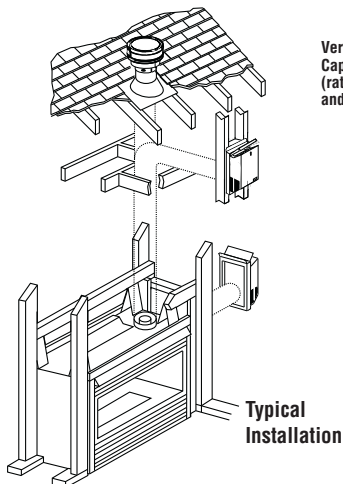
Clearances

Minimum Clearances Inches (millimeters)	
Back & Sides	1/2 (13) 0 (0) from Spacers or Dimples
Top Spacers	0 (0)
Floor	0 (0)
From Bottom of Unit To Ceiling	64 (1626)
Vent	3 (77) Top* / 1 (26) Sides & Bottom
Service Clearances - Feet (meters)	
Front, Back & Sides	3 feet (0.9 meters)



*NOTE: 3" (77 mm) above any horizontal/ inclined vent component.

Venting



NOTE: DIAGRAMS & ILLUSTRATIONS NOT TO SCALE.

