

Fyrestar DVi Series Specs

Description	Dimension		
	25 series	30 series	36 series
A. Unit Rear Width	21"	22"	24 1/2"
B. Unit Front Width	28"	32 1/4"	35"
C. Unit Depth	14 1/2"	16 7/8"	17 5/8"
D. Vent Depth - Intake	12"	14 1/2"	14 1/2"
E. Vent Depth - Exhaust	7 7/8"	10 1/4"	10 1/4"
F. Unit Rear Height	15 3/4"	18 3/4"	22"
G. Unit Front Height	19"	22"	25 1/2"

Table 1 - Unit Dimensions

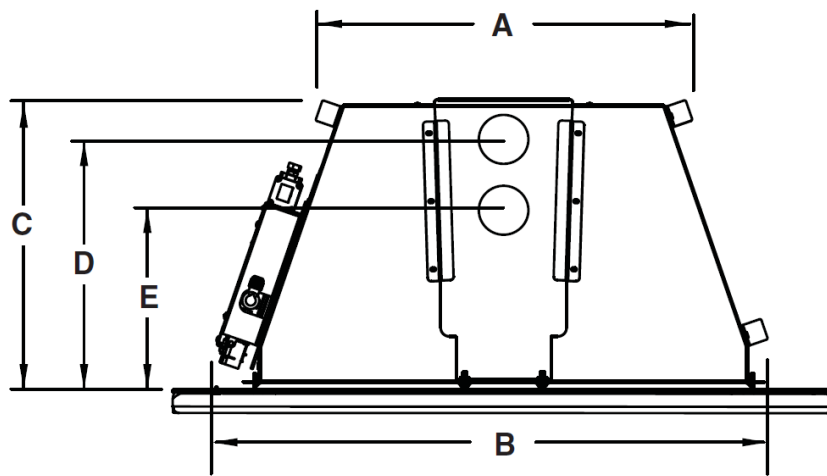


Fig. 8-1 Top View

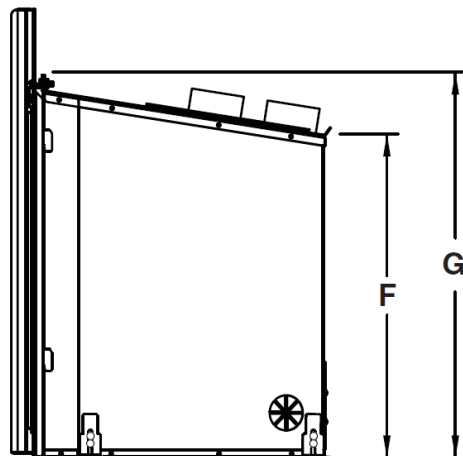


Fig. 8-2 Side View

Description	A	B	C	D	E
25 series					
Surround 3-sided, small	34 3/8"	22 1/2"	5"	4 3/4"	1 1/2"
Surround 3-sided, medium	37 3/8"	25 1/4"	7 3/4"	6 1/4"	1 1/2"
Surround 3-sided, large	40 3/8"	28"	10 1/2"	7 3/4"	1 1/2"
Surround 4-sided, small	34 3/8"	27"	4 3/4"	4 3/4"	1 1/2"
Surround 4-sided, medium	37 3/8"	30"	6 1/4"	6 1/4"	1 1/2"
30 series					
Surround 3-sided, small	38 3/8"	25 1/2"	5 1/4"	4 1/2"	1 1/2"
Surround 3-sided, medium	41 3/8"	28"	6 1/4"	7 1/2"	1 1/2"
Surround 3-sided, large	44 3/8"	31"	7 3/4"	10 1/2"	1 1/2"
Surround 4-sided, small	38 3/8"	30"	4 3/4"	4 3/4"	1 1/2"
Surround 4-sided, medium	41 3/8"	33"	6 1/4"	6 1/4"	1 1/2"
36 series					
Surround 3-sided, small	43 3/8"	30"	6"	5 3/4"	1 1/2"
Surround 3-sided, medium	45 3/8"	32"	8"	6 3/4"	1 1/2"
Surround 3-sided, large	49 3/8"	35"	11"	8 3/4"	1 1/2"
Surround 4-sided, small	43 3/8"	33"	4 1/2"	5 3/4"	1 1/2"
Surround 4-sided, medium	45 3/8"	36"	6"	6 3/4"	1 1/2"

Table 2 - Surround Kit Dimensions

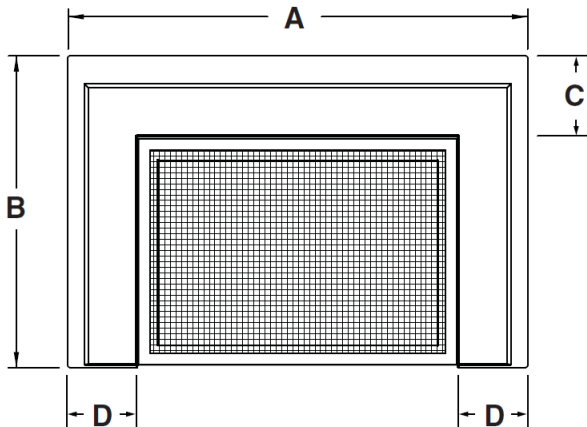


Fig. 9-1 Front View (3 sided surround model)

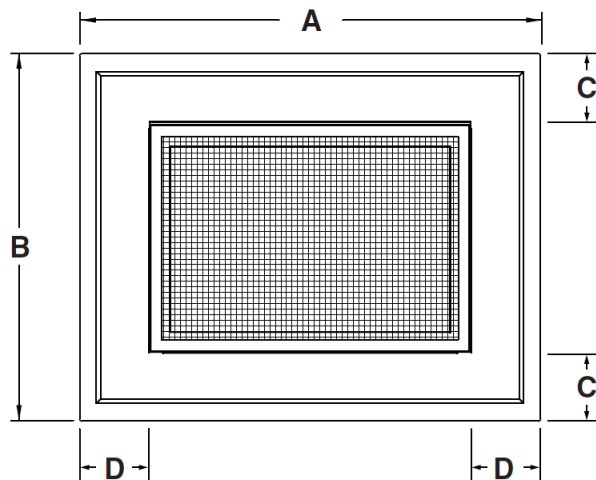


Fig. 9-2 Front View (4 sided surround model)



Fig. 9-3 Side View

TO DETERMINE THE APPROPRIATE SURROUND FOR YOUR SETUP* :

Recommended surround	F max	G max
25 series		
Surround 3-sided, small	32 3/8"	21 1/2"
Surround 3-sided, medium	35 3/8"	24 1/4"
Surround 3-sided, large	38 3/8"	27"
Surround 4-sided, small	32 3/8"	19 3/4"
Surround 4-sided, medium	35 3/8"	24 1/4"
30 series		
Surround 3-sided, small	36 3/8"	24 1/2"
Surround 3-sided, medium	39 3/8"	27"
Surround 3-sided, large	42 3/8"	30"
Surround 4-sided, small	36 3/8"	24 1/4"
Surround 4-sided, medium	39 3/8"	25 3/4"
36 series		
Surround 3-sided, small	41 3/8"	29"
Surround 3-sided, medium	43 3/8"	31"
Surround 3-sided, large	47 3/8"	34"
Surround 4-sided, small	41 3/8"	27 1/2"
Surround 4-sided, medium	43 3/8"	29"

Table 3 - Recommended Surround (based upon fireplace opening, see Fig. 10-1)

Description	Dimension		
	25 series	30 series	36 series
A. Front Width	30 1/2"	35"	38"
B. Rear Width	21 1/2"	22 1/2"	26"
C. Depth	15 1/2"	18 1/2"	19 1/2"
D. Height	20"	22 1/2"	26"

Table 4 - Minimum Fireplace Dimensions

* If exhaust collar on direct vent insert and fireplace damper do not line up, add 3 inches to minimum fireplace height to allow offsets of vent pipe.

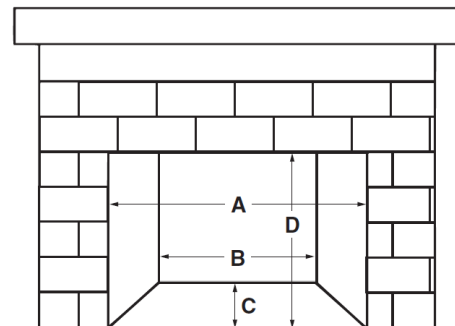


Fig. 11-1 Minimum Fireplace Dimensions

Model		Natural Gas			Propane Gas		
		BTU Rating	Orifice Size		BTU Rating	Orifice Size	
			Front	Rear		Front	Rear
25 series	(0-2000 FT) *	25,000	#40	-	20,000	#55	-
30 series	(0-2000 FT) *	32,000	#47	#45	29,000	#58	#56
36 series	(0-2000 FT) *	40,000	#47	#39	33,000	#57	#55

Table 5 - BTU Ratings and Orifice Sizes

* For elevations above 2,000 feet, the BTU rate of the unit is reduced by 4% for each additional 1,000 feet. To install the unit above an elevation of 2,000 feet, you must use proper orifices based on the de-rated BTU.