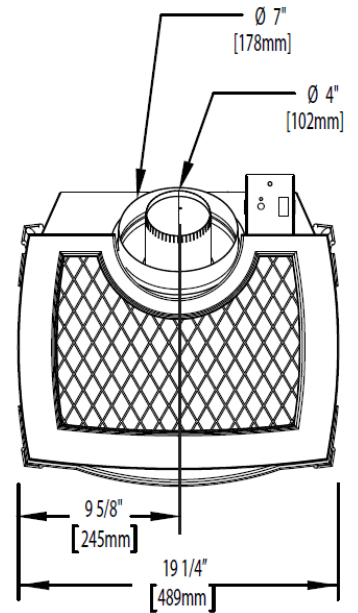
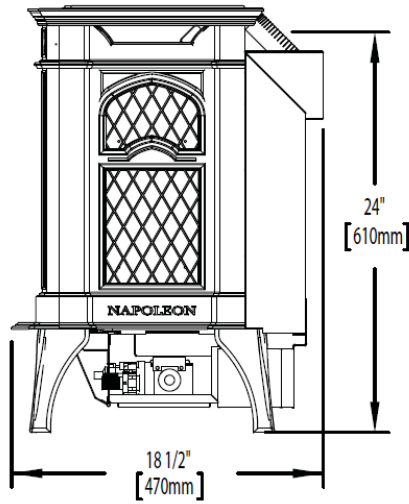
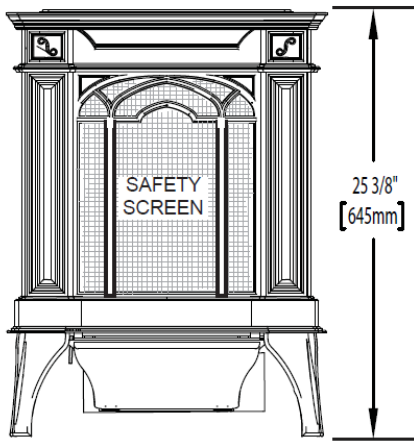


Napoleon GDS20 Specs



Model	BTU's (Input)		Venting	Height	Front Width	Depth	Glass Type	Glass Size	
	Natural Gas	Propane		Actual	Actual	Actual		Height	Width
GDS20	20,000	20,000	45°	25 3/8"	19 1/4"	18 1/2"	Ceramic	13"	14"

Efficiencies			Blower Kit	Mobile Home Certified	Electronic Ignition	Minimum Clearances to Combustibles		
EnerGuide	AFUE	Steady State				Corner	Rear	Sides
60%	-	78%	Optional	Yes	No	2"	2"	4"