

# EX32-i Dimensions

## DIMENSIONS:

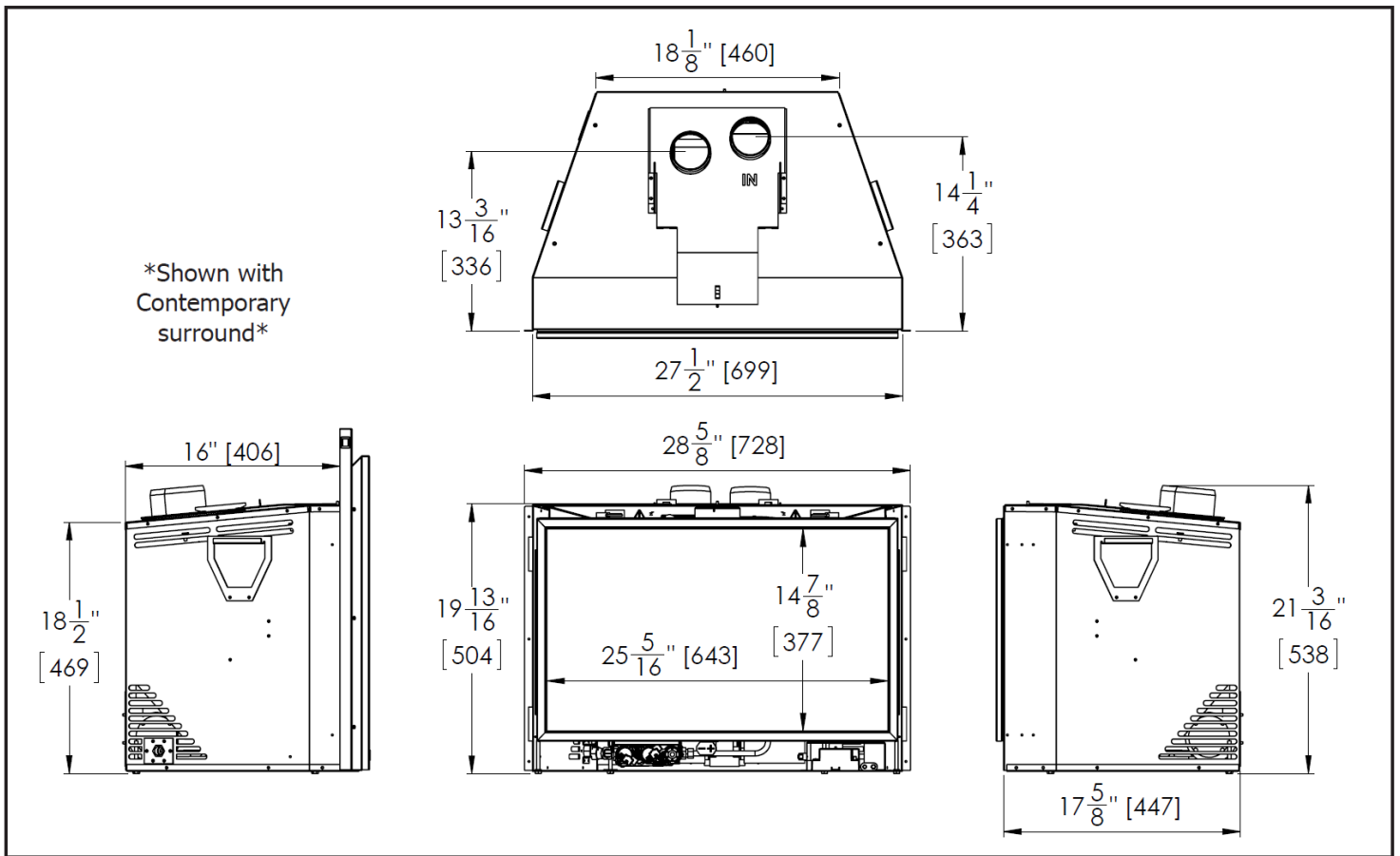


Figure 1: EX32 Exterior Dimensions.

## INSTALL DEPTH:

The EX32 has a minimum install depth of 16" (406mm). The table below shows what depth of install is required with each surround panel.

Surround Panel	Required Install Depth
Contemporary	16" (406mm)
Extruded	
Extruded Plus	17 1/4" (438mm)
Borderview	
Borderview Plus	
Modern Plus	

Table 1: Install Depths

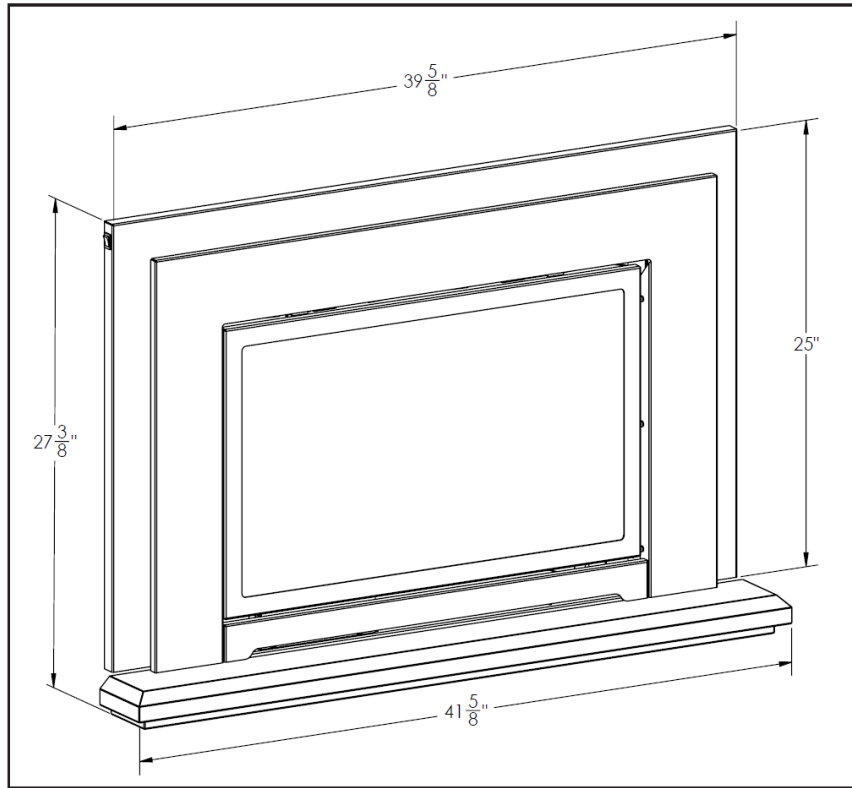


Figure 2: EX32 Contemporary Surround with Base Shelf and Riser.

Table 2: EX32 Options Dimensions.

	Contemporary Surround	Extruded Surround
Height	25" (635mm)	25" (635mm)
Width	39 7/8" (1013 mm)	39 7/8" (1013 mm)
<b>Trimmable Surround</b>	Height	Width
	38" (965mm)	46" (1168mm)
	<b>Base Shelf</b>	<b>Base Shelf Riser</b>
Height	1 5/8" (41mm)	2 1/8" (54mm)
Width	41 5/8" (1057mm)	40 1/4" (1022mm)
Depth	Bottom 4 7/8" (112mm); Top 3 13/16" (97mm)	3 11/16" (94mm)

Table 3: Elite Surround Options

Surround	Borderview Plus	Borderview Plus
Height	26.125" (665mm)	26.125" (665mm)
Width	40" (1016mm)	40" (1016mm)
Surround	Borderview Plus 4-Sided	Modern Plus
Height	31" (785mm)	25.375" (645mm)
Width	40" (1016mm)	38.5" (725mm)
Surround	Extruded Plus	E30 Hearth Riser
Height	26.125" (665mm)	2" (50mm)
Width	40" (1016mm)	43.5" (1105mm)